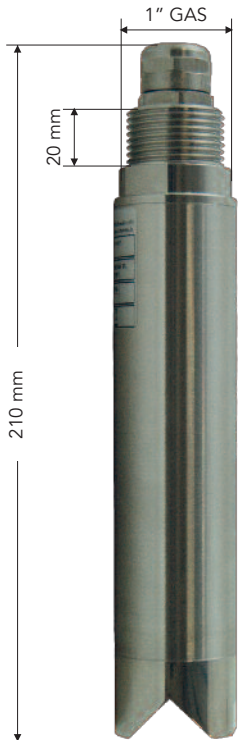


PROBE FOR SUSPENDED SOLIDS



General features

Turbidity is a decrease of water transparency due to the presence of suspended solid, t consist of very fine particles, unable to settle in a reasonably short time. The particles in suspension determine an absorption of light radiation according to the number and size of the particles themselves.

Applications

Sludges from biological processes, chemical industry paper mills, food, extraction systems: quarries, tunnels, aggregate extraction

Standard version

SS316 body with Modbus RTU RS485 interface

On request

Only PVC body ;

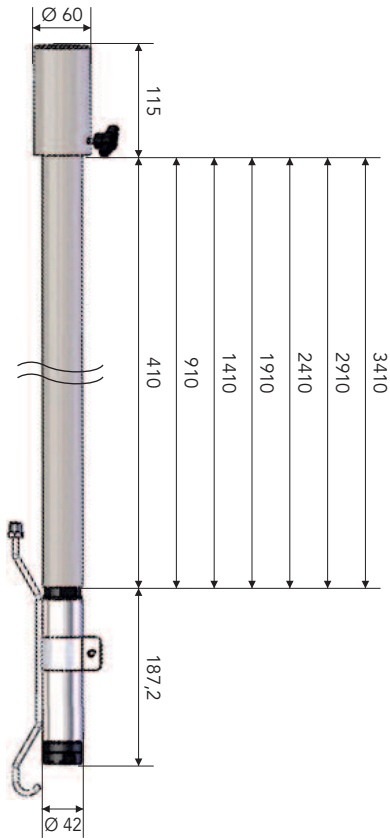
Technical specifications

Measuring range	0...30 g/l MLSS of WWTP - on request 0...100 g/l Kaolin reference
Measuring method	Absorption of light
Resolution	0.1 g/l
Accuracy	± 0.3 g/l
Repeatability	± 0.5 g/l
Response time	T ₉₀ < 60s
Operating temperature	0...50 °C
Maximum pressure	4 bar
Body material	SS316 (on request only Black PVC)
O-ring	Viton®
Optics	Special Epoxy
Mechanical protection	IP68 Sensor + cable
Power supply	12...24Vdc
Power consumption	max. 3W
Cable	10 mt integral with the sensor
Calibration	by points
Signal interface	Modbus RTU Standard Protocol RS485



probeholder for insertion into the pipe

IMMERSION PROBEHOLDERS



Immersion probeholder for turbidity/suspended solids probes

Materials

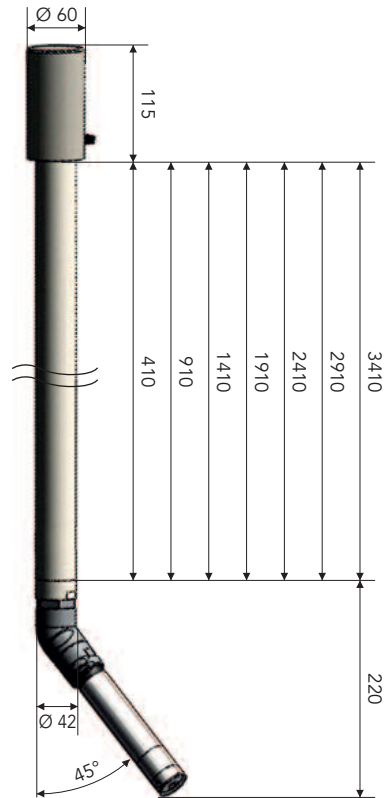
- Polipropilene (PP) Tube and cap
- Nylon fixing screw
- NBR o-Rings

Working Temperature

- max 80 °C

Available lengths

- See drawing



Immersion probeholder for Oxygen probe and digital/differential electrodes

Materials

- Polipropilene (PP) Tube and cap
- Nylon fixing screw
- PVC 45° Fitting
- NBR o-Rings

Working Temperature

- max 80 °C

Available lengths

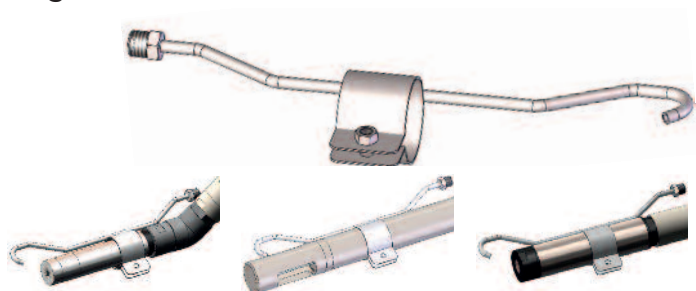
- See drawing

nozzle for immersion probes' cleaning

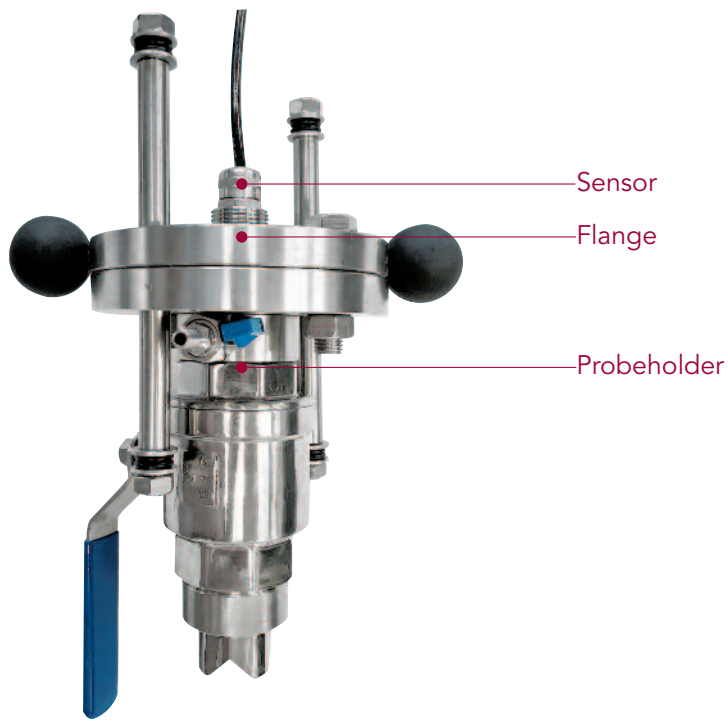
Materials

- SS316 tube
- SS316 nozzle
- SS316 fittings and nuts

The washing conduit is connected to the nozzle via the 1/4" BSP male threaded fitting. The system can be adapted to all immersion probes and probeholders.



INSERTION PROBEHOLDER FOR TURBIDITY/SS



Technical specifications

Body material	SS316
Ball valve	DN 40 for extraction of the probe without interruption of the process
Connection	welded for mounting on pipe
Complete with	fixing brackets of the safety sensor